

4

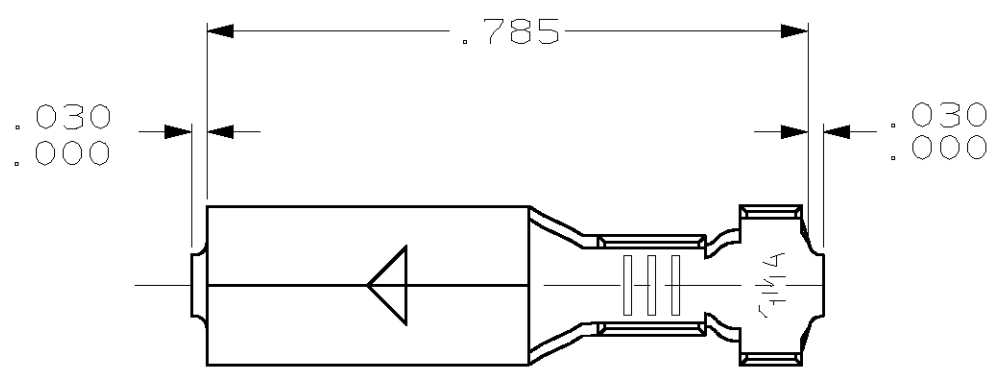
3

2

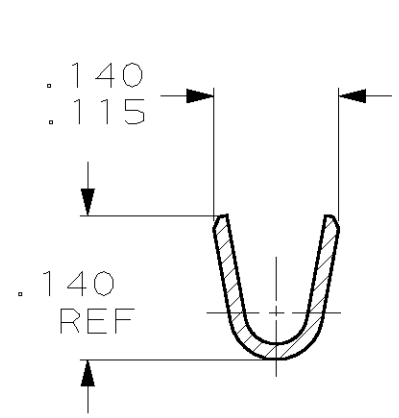
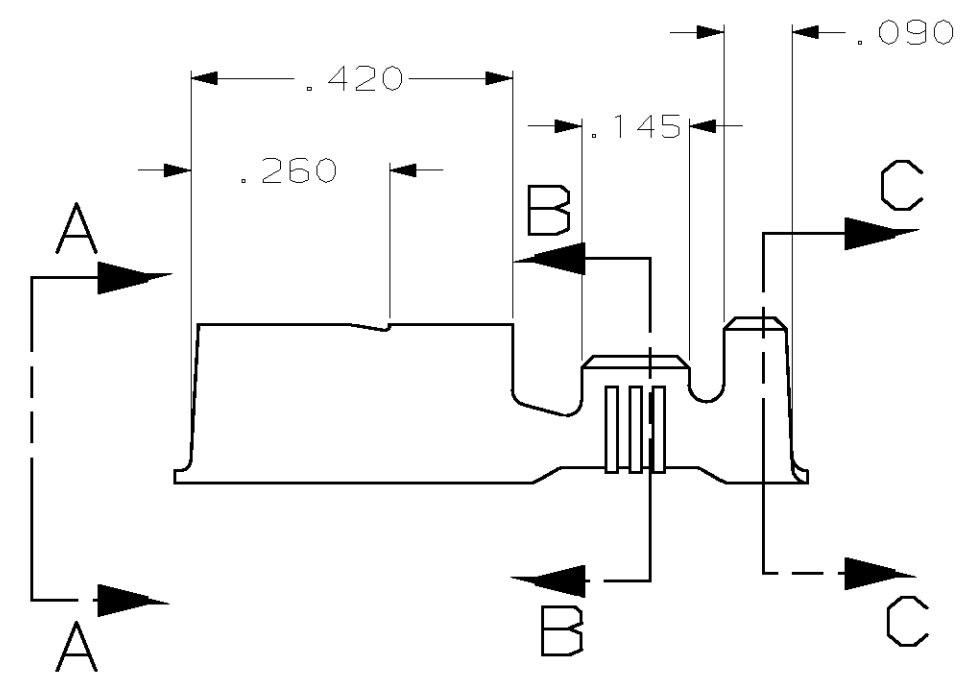
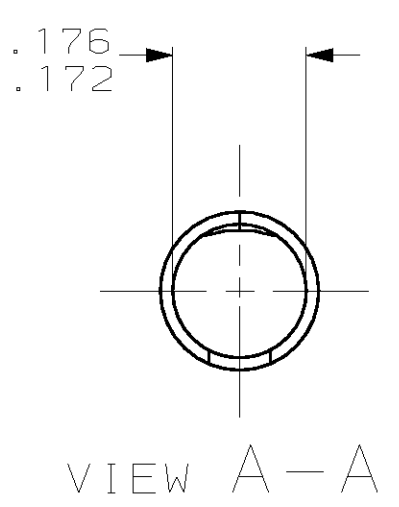
1

THIS DRAWING IS UNPUBLISHED. RELEASED FOR PUBLICATION, 19 .  
 © COPYRIGHT 19 BY AMP INCORPORATED. ALL RIGHTS RESERVED.

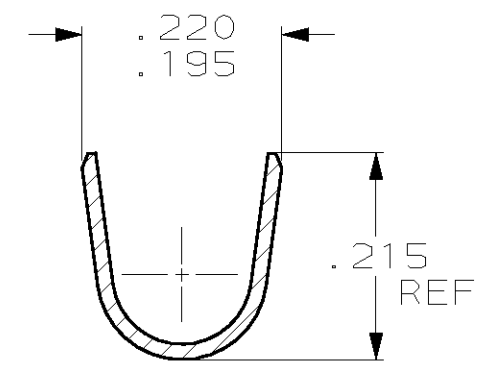
LOC	DIST	REVISIONS					
		P	LTR	DESCRIPTION	DATE	DWN	APVD
AF	50		C	REDRAWN PER 0G1A-0144-99	29JUN99	JR	DD



- 1 CONTINUOUS STRIP ON REELS
- 2 WIRE SIZE #18-#14 AWG.
- 3 INSULATION RANGE IS .120-.175 DIA.
- 4 PIN DIA .180±.001.



SECTION B-B  
SCALE 5:1



SECTION C-C  
SCALE 5:1

.000080 MIN TIN	61412-2
-	61412-1
FINISH	PART NO.

THIS DRAWING IS A CONTROLLED DOCUMENT.	
DIMENSIONS: INCHES	TOLERANCES UNLESS OTHERWISE SPECIFIED:
	0 PLC ±-
	1 PLC ±-
	2 PLC ±-
	3 PLC ±.015
	4 PLC ±-
	ANGLES ±-
MATERIAL 4M BRASS	FINISH SEE TABLE

DWN	JR RUTH	29JUN99
CHK	MS FEHER	29JUN99
APVD	D DECKER	29JUN99
PRODUCT SPEC	-	-
APPLICATION SPEC	-	-
WEIGHT	-	-
CUSTOMER DRAWING		

<b>AMP</b> AMP Incorporated Harrisburg, PA 17105-3608			
NAME RECEPTACLE, SHUR PLUG, .180 DIA			
SIZE	CAGE CODE	DRAWING NO	RESTRICTED TO
A3	00779	C- 61412	-
SCALE 4:1		SHEET 1 OF 1	REV C